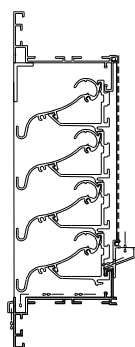


# Ikon

## Weather louvre



**Tornado**



**Product description**

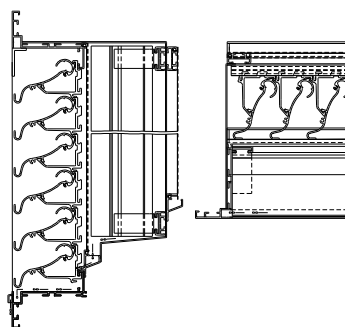
Blade Centre 50mm . Blade angle 25 degree.  
 Visual free area 75%. Physical free area 47%.  
 Frame depth 100mm  
 33.5mm flange  
 Tested to EN 13030:2002  
 BSRIA Test report 57596/1  
 Class A at a velocity of 0.5m/s

K factor 11.75			Ce 0.293	
Watertightness	%	Class	Pressure Drop	Pd
Velocity 0.0	99.7	A	Face Velocity 0.5	1.76
0.5	99.1	A	1.0	7.05
1.0	98.2	B	1.5	15.86
1.5	97.3	B	2.0	28.20
2.0	93.7	C	2.5	44.06
2.5	86.7	C	3.0	63.45

**Options**

- Standard RAL or BS colours. Anodizing to special order.
- Insect mesh
- Bird mesh
- Single skin, or double skin insulated blanking panels

**Hurricane**



**Product description**

Blade Centre 50mm . Blade angle 25 degree.  
 Visual free area 75%. Physical free area 47%.  
 Frame depth 225mm  
 33.5mm flange  
 Tested to EN 13030:2002  
 BSRIA Test report 57986/1  
 Class A at a velocity of 1.5m/s

K factor 29.39			Ce 0.185	
Watertightness	%	Class	Pressure Drop	Pd
Velocity 0.0	99.9	A	Face Velocity 0.5	4.41
0.5	99.7	A	1.0	17.63
1.0	99.7	A	1.5	39.68
1.5	99.6	A	2.0	70.54
2.0	98.3	B	2.5	110.21
2.5	96.5	B	3.0	158.71

Unit 1 Yardley Brook Industrial Park, Leaford Way, Shard End, Birmingham, B33 9TX

Tel: 0121 789 9936, Fax 0121 783 7905, Web : [www.ikonaluminium.com](http://www.ikonaluminium.com), Sales : [info@ikonaluminium.co.uk](mailto:info@ikonaluminium.co.uk)