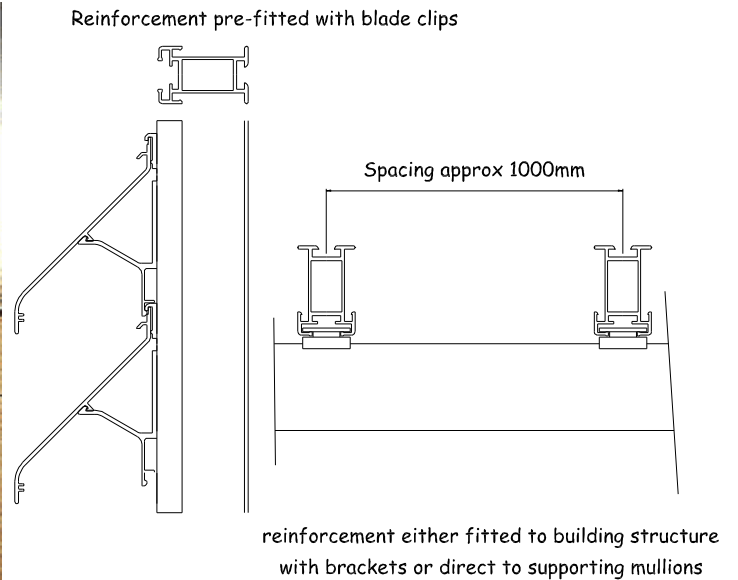
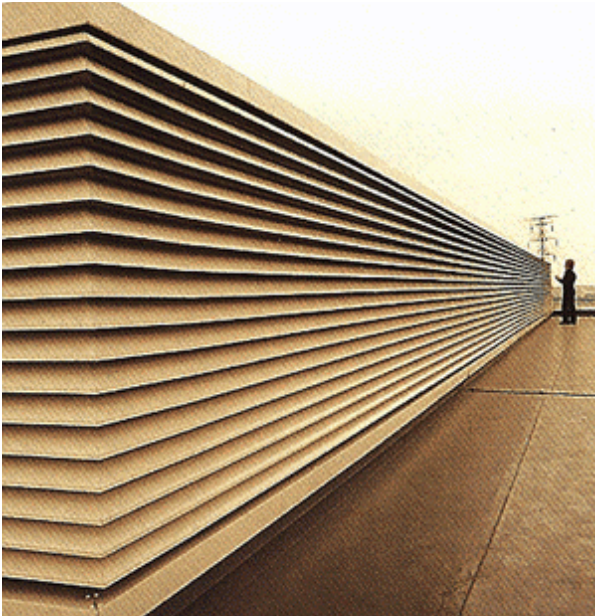


Ikon

IKCL95 Continuous louvre



Product description

Continuous louvers providing both functional and aesthetical integration with building facades

Reinforcement bars are supplied assembled with glazing clips. These are not seen when fitted with the louvre blades

Standard mullion depths are 14mm, 50mm or 80mm. other bespoke sizes are available.

Fixing detail is dependant upon building construction

Blade Centre 95mm . Blade angle 45 degree.

Visual free area 81%. Physical free area 56%.

Options

Standard RAL or BS colours. Anodizing to special order.

Bird mesh

Single skin, or double skin insulated blanking panels