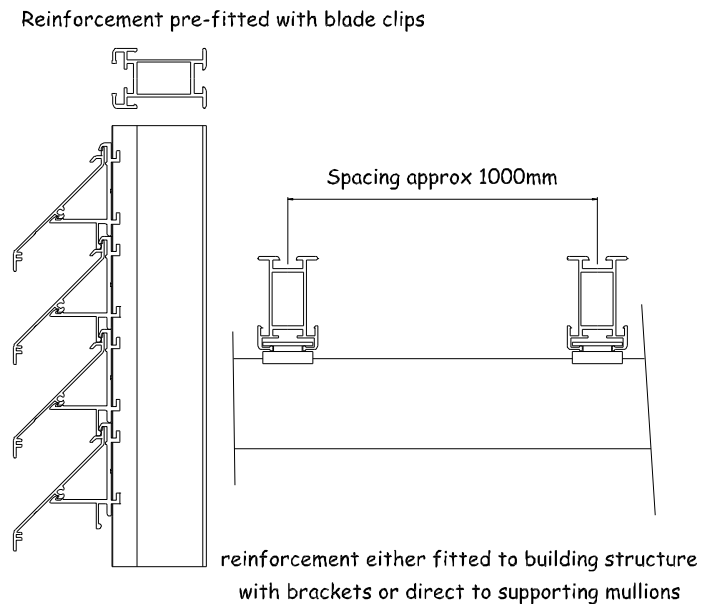


Ikon



IKCL50 Continuous louvre



Product description

Continuous louvers providing both functional and aesthetical integration with building facades

Reinforcement bars are supplied assembled with glazing clips. These are not seen when fitted with the louvre blades

The system can incorporate single or double doors and internal/external corners

Standard mullion depths are 14mm, 50mm or 80mm. other bespoke sizes are available.

Fixing detail is dependant upon building construction

Blade Centre 50mm . Blade angle 45 degree.

Visual free area 79%. Physical free area 50%.

Louvre element tested to EN 13030:2002

BSRIA Test report 54729/1

Options

Standard RAL or BS colours. Anodizing to special order.

Bird mesh

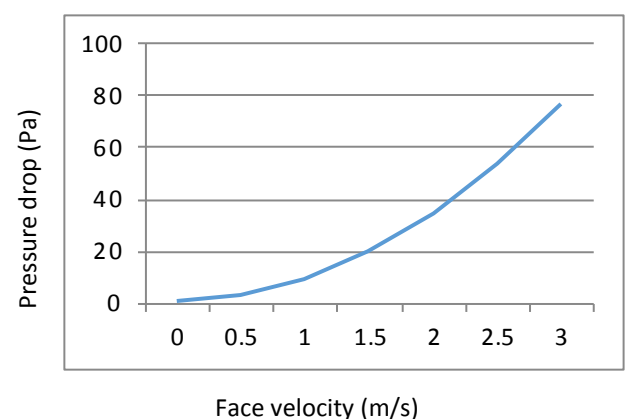
Single skin, or double skin insulated blanking panels

K factor 14.23

Ce 0.265

Watertightness	%	Class	Pressure Drop	Pd
Velocity 0.0	99.4	A	Face Velocity 0.5	2.13
0.5	98.8	B	1.0	8.54
1.0	97.0	B	1.5	19.21
1.5	92.3	C	2.0	34.15
2.0	86.8	C	2.5	53.36
2.5	76.1	D	3.0	76.84

Performance: airflow, louvre with insect mesh



Unit 1 Yardley Brook Industrial Park, Leaford Way, Shard End, Birmingham, B33 9TX

Tel: 0121 789 9936, Fax 0121 783 7905, Web : www.ikonaluminium.com, Sales : info@ikonaluminium.co.uk