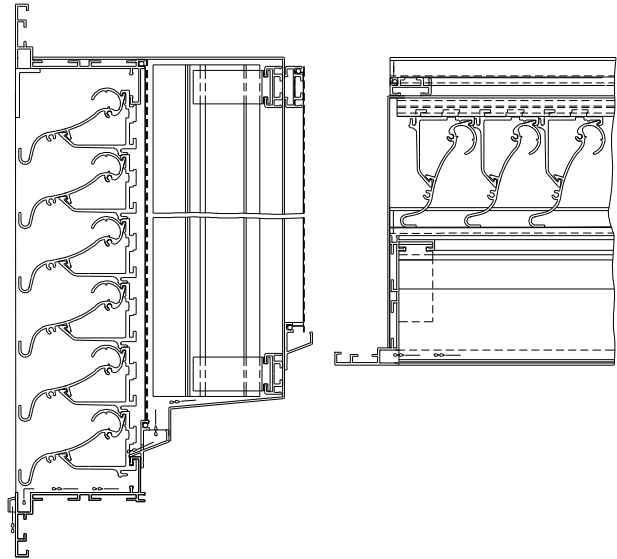


Ikon

IKL50 Hurricane



Product description

Blade Centre 50mm . Blade angle 25 degree.

Visual free area 75%. Physical free area 47%.

Frame depth 225mm

33.5mm flange

Tested to EN 13030:2002

BSRIA Test report 57986/1

Class A at a velocity of 1.5m/s

Options

Standard RAL or BS colours. Anodizing to special order.

Insect mesh

Bird mesh

Single skin, or double skin insulated blanking panels with or without plenum box.

K factor 29.39

Ce 0.185

Watertightness	%	Class	Pressure Drop	Pd
Velocity 0.0	99.9	A	Face Velocity 0.5	4.41
0.5	99.7	A	1.0	17.63
1.0	99.7	A	1.5	39.68
1.5	99.6	A	2.0	70.54
2.0	98.3	B	2.5	110.21
2.5	96.5	B	3.0	158.71

Performance: airflow, louvre with insect mesh

