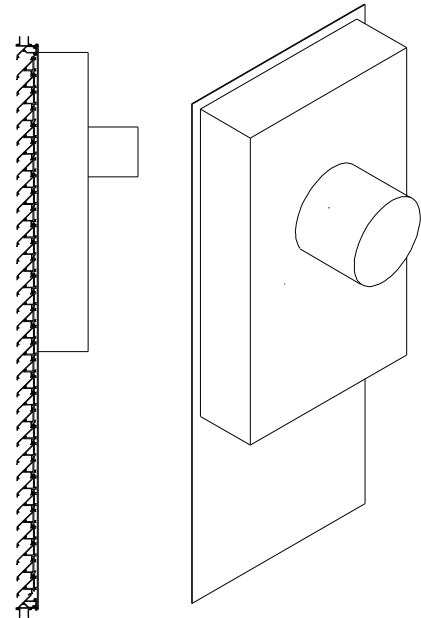


Ikon

IK Plenum



Product description

Aluminium plenum box suitable for the attachment of mechanical and electrical ventilation equipment

All plenum boxes are individually designed and fabricated to meet the customer's requirements. Termination spigots are usually rectangular or circular.

Box is of folded and welded construction

Can be fitted to most Ikon louvre system outerframes

Can be provided mill finish, or coated to standard RAL or BS colours

Internal face can be provided with insulation as required